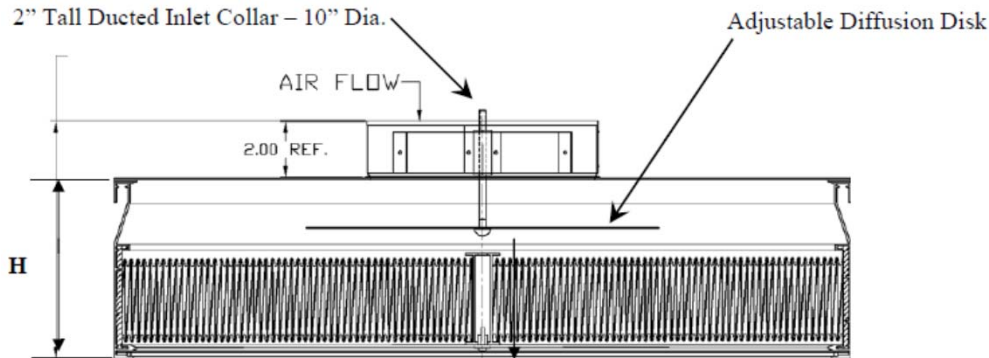
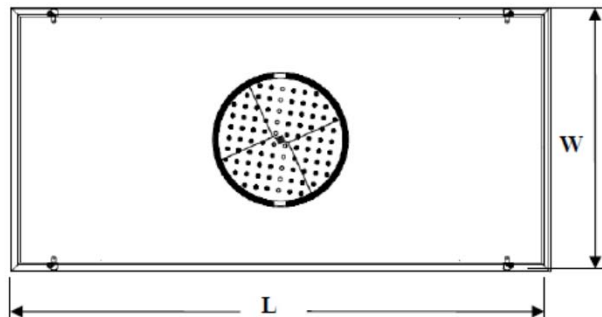


FlowStar DTM Specifications

- 1) Hood body constructed of extruded aluminum with clear anodized finish
- 2) Adjustable diffusion disc attached to inlet collar & adjustable through filter center divider
- 3) Galvanized hood sheet, hanging tabs, and Ducted Inlet (10" sized)
- 4) Filter constructed of extruded aluminum with clear anodized finish
- 5) Media pack 2.0", 2.5", or 4.0" mini pleat with thermo plastic resin separators
UL Rating: UL 900 Classified
- 6) Center divider with single access port
- 7) Protective expanded steel painted white screen on the filter air leaving side
- 8) Two component polyurethane pack to frame sealant
- 9) Minimum filter efficiency 99.99% at 0.3 micron and 100 fpm
- 10) Filters individually leak scan tested to maximum allowable leak rate of 0.01%
- 11) Filters manufactured in accordance with IEST-RP-CC001 Latest Revision
- 12) Filter tolerances are +0.00/-0.125 from listed dimensions
- 13) Filters will be square to within 1/8" for diagonals under 30 in. and
Filters will be square to within 1/4" for diagonals over 30 in.



Section View



Filter & Air Resistance Information

(Resistance based on open media face, 100 fpm air velocity)

Item	DTM Size (W"xL"xH")	Filter Depth (Inches)	Pack Depth (Inches)	Max. Resistance (Inches W.G.)	Air Flow Rate (CFM)
DTM-01 40645	23-5/8 x 23-5/8 x 7-7/8	5-7/8	2.5	0.45	320
DTM-01 40646	23-5/8 x 47-5/8 x 7-7/8	5-7/8	2.5	0.45	690
DTM-12 40628	23-5/8 x 23-5/8 x 7-1/4	5-1/4	2.0	0.52	320
DTM-12 40630	23-5/8 x 47-5/8 x 7-1/4	5-1/4	2.0	0.52	690
DTM-20 41774	23-5/8 x 23-5/8 x 9-1/4	7-1/4	4.0	0.36	320
DTM-20 41776	23-5/8 x 47-5/8 x 9-1/4	7-1/4	4.0	0.36	690

SPECIFICATION INFORMATION

Customer Information: _____

Item Number: _____

For Non-Standard Sizes, Please Consult the Factory.

_____ (H) X _____ (W) X _____ (D)

Please Specify Size as Nominal or Exact _____

SPECIFIED OPTIONS

Customer Initial and Date for Product Specification _____



Filtration Group®
HVAC



FLOWSTAR DTM - 10" Inlet Collar

Rev	BC	Date:	4/12/2018	Drawing Number:	SD-DTM 10in	Revision:	06
www.filtrationgroup.com							