

# CONSTIX™ Swab, SF-5

Sealed foam swab, flexible paddle tip

## Description

CONSTIX SF-5 a sealed foam swab consists of a polyurethane foam bonded to a flex-tip polypropylene handle without the use of adhesives or binders.

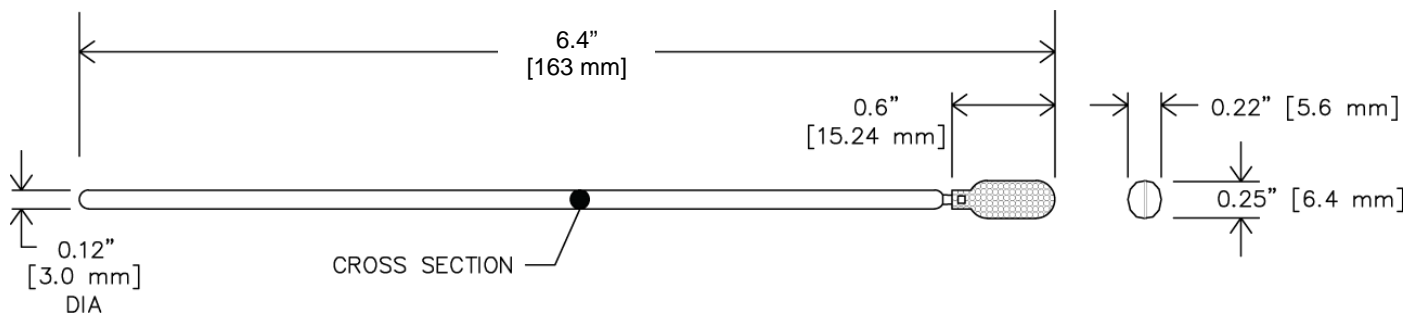
The polyurethane foam head provides good particle entrapment and removal. The absorbant foam enables solvents, such as isopropanol and ethanol, to be readily sorbed for applications involving solvent delivery or removal.

The flexible tip of the SF-5 swab provides good surface contact and controlled pressure to surfaces. Excellent for applying resins and adhesives.

Though compatible with many common solvents, the SF-5 is not recommended for use with ketones such as acetone or MEK.

## Technical Data

Swab head material	100 PPI open-cell polyurethane foam
Swab handle material	100% polypropylene
Construction	Thermally sealed and attached



### Notes:

- 1) Data shown are typical values and should not be used as product specifications.
- 2) Valid product comparisons may only be obtained through side-by-side testing in the same test facility, under similar conditions.
- 3) Current and/or comparison data may be available. Please contact a Contec sales representative for details.

Revision date: 06/28/17



Copyright © 2017 Contec, Inc. All rights reserved.

**North America**  
P.O. Box 530  
Spartanburg, SC 29304 USA  
Phone: +1-864-503-8333  
www.contecinc.com

**Europe**  
ZI du Prat – RP 3707  
56037 VANNES Cedex  
FRANCE  
+33 297 437 698

**China**  
No.17 Longyun Road  
Suzhou 215024  
CHINA  
+ 86-512-6274 4050