

CONSTIX™ Swab, SC-7 (Huby BB-003)

Cotton Swab, Sharp Pointed Head, Double-ended, Small Size Head

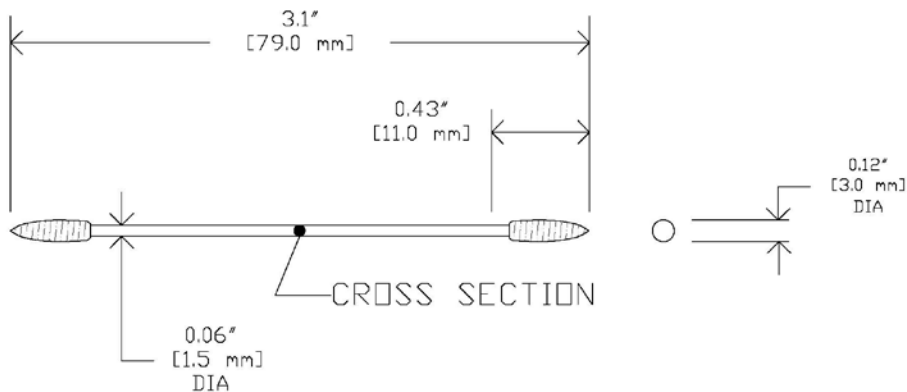
Description

CONSTIX SC-7 sharp point double-ended cotton swabs consist of high quality, long staple-length cotton, tightly wrapped and shaped on both ends of high strength, wound paper handles. The heads are held to the handles using a methyl-cellulose binder. These swabs are Sanyo Huby brand swabs imported by Contec.

The high quality cotton fibers provide excellent particle entrapment and retention, as well as exceptional absorbency of most solvents and solutions. The heads are very tightly wrapped and shaped using methyl-cellulose binder which minimizes fiber shedding, while maintaining low levels of extractable residue. The SC series cotton swabs are absorbent to most common solvents including isopropyl alcohol, acetone, and is ideal for use with aqueous based solutions.

Technical Data

Swab head material	Cotton
Swab handle material	Wound paper
Construction	Methyl-Cellulose binder



Notes:

- 1) Data shown are typical values and should not be used as product specifications.
- 2) Valid product comparisons may only be obtained through side-by-side testing in the same test facility, under similar conditions.
- 3) Current and/or comparison data may be available. Please contact a Contec sales representative for details.

Revision date: 06/28/17



Copyright © 2017 Contec, Inc. All rights reserved.

North America
P.O. Box 530
Spartanburg, SC 29304 USA
Phone: +1-864-503-8333
www.contecinc.com

Europe
ZI du Prat – RP 3707
56037 VANNES Cedex
FRANCE
+33 297 437 698

China
No.17 Longyun Road
Suzhou 215024
CHINA
+ 86-512-6274 4050